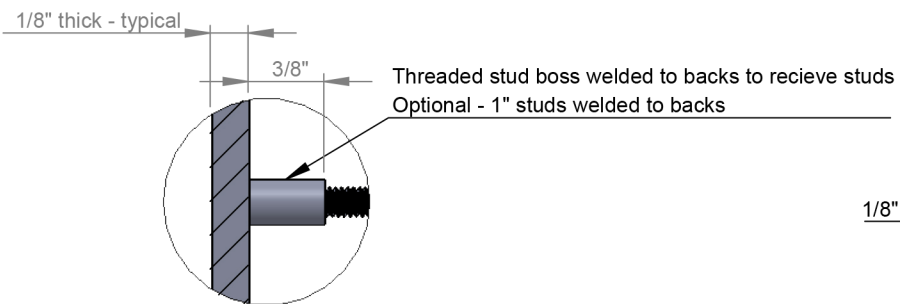
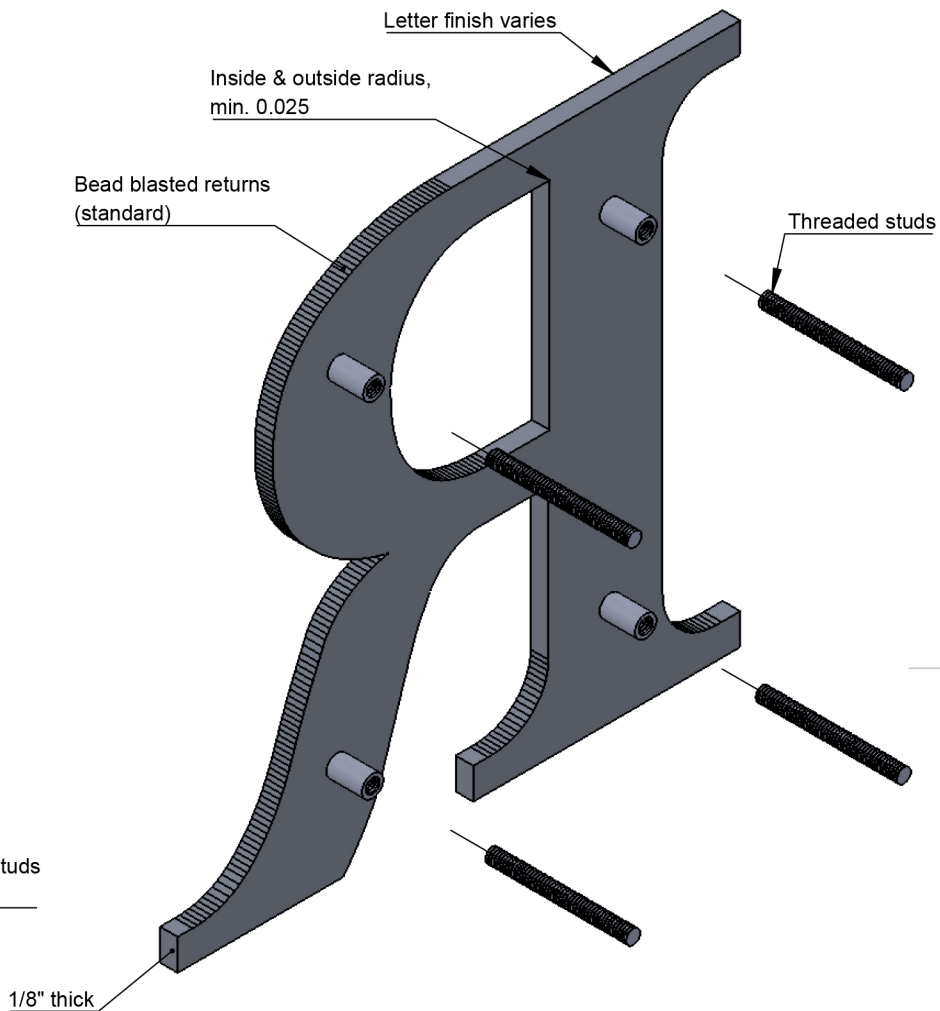
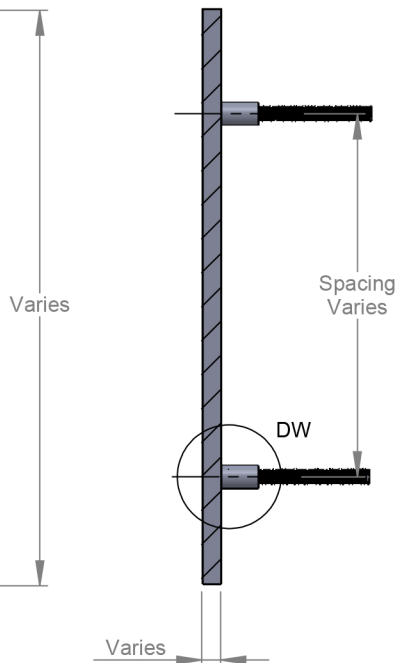
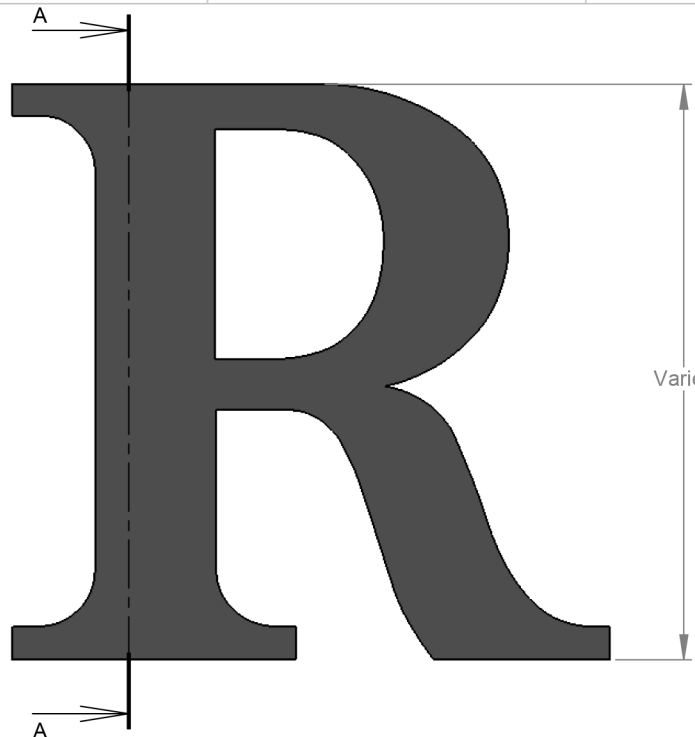


PRODUCT CONSTRUCTION EXAMPLE



- NOTES:**
- Multiple face finish options
  - 6/32 or 10/24 welded stud boss or 1" studs
  - Optional spacer for studs
  - Min. 1/2" letter stroke
  - Aluminum stud boss for aluminum letters
  - Stainless steel for stainless letters, copper base boss on red metals
  - Designed for use on 1/8" thick metal letters
  - Letters or logos, standard or custom

TITLE: <b>FLAT CUT METAL - WELDED STUD/BOSS MOUNT</b>			
MATERIAL: <b>METAL</b>		PRODUCT TYPE: <b>FLAT CUT METAL</b>	
DWG NO. FTMT100	REV 10/25/16	SCALE: AS INDICATED	SHEET 1 OF 1