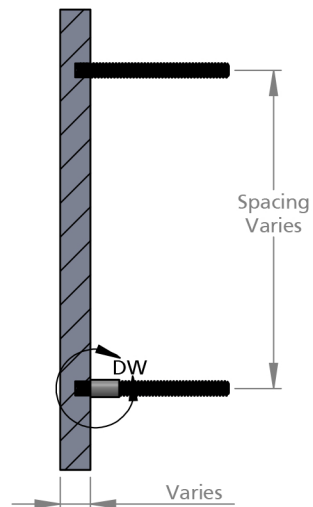
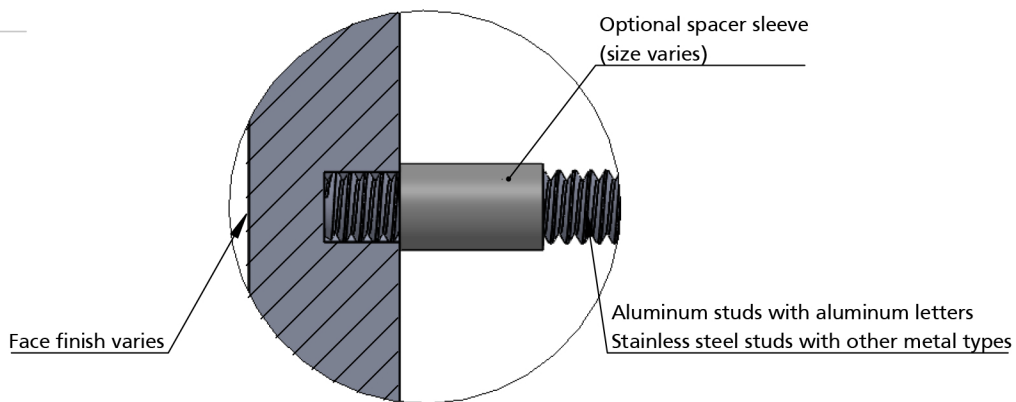


BACK VIEW II SCALE 1:2.5



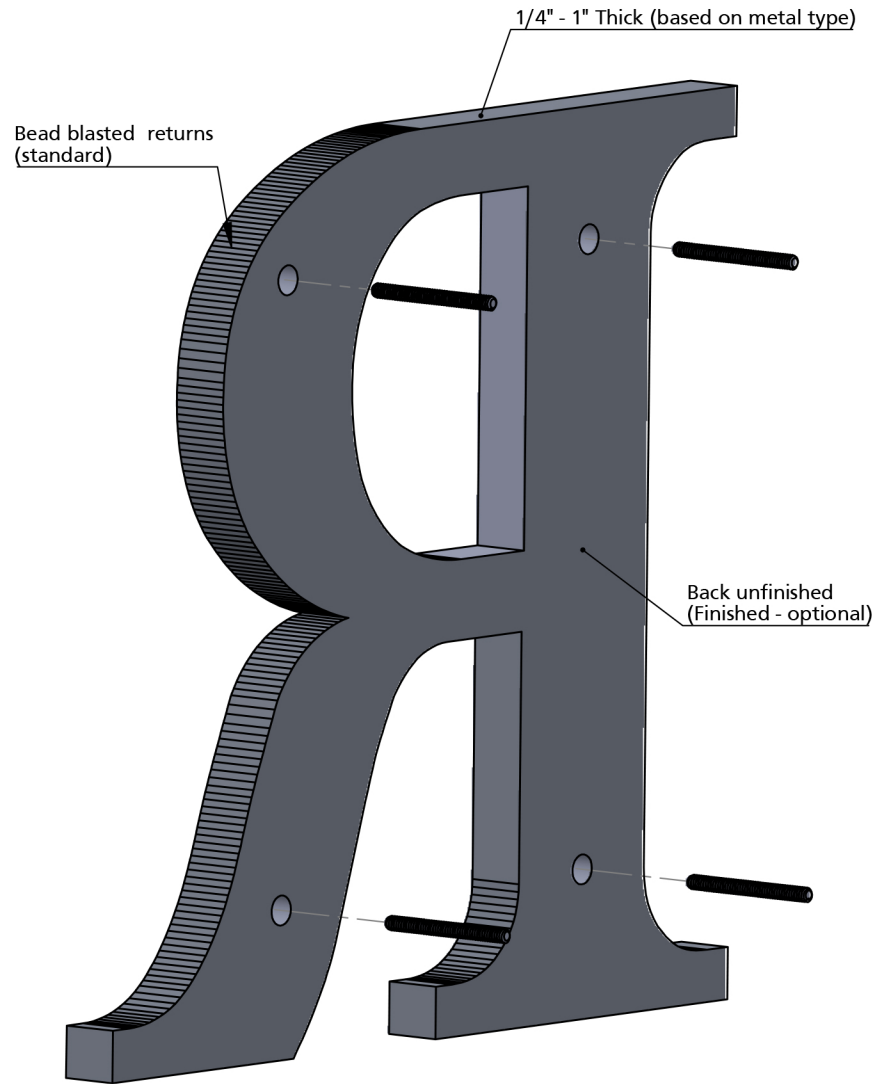
SECTION VIEW A-A II SCALE 1:2.5



DETAIL DW II SCALE 2:1

SIZE	MIN STUDS/LTR
Up to 3"	3 studs
over 3" - 15"	4 studs
Over 15"	6 studs
Punctuation	2 studs

**NOTES:**  
 Typical stud length 2" beyond back of letter  
 Letters under 15" high - 10/24 studs, 15"+ high - 1/4-20 studs.  
 Less than 3/8" stroke, 6-32 or 4-46 studs  
 Standard cast studs are in line for brick mortar (2-5/8" on center for mortar)



ISOMETRIC BACK VIEW II SCALE 1:2.5

TITLE:  
**FLAT CUT METAL - STUD MOUNT**

MATERIAL:  
**METAL**

PRODUCT TYPE:  
**FLAT CUT METAL**