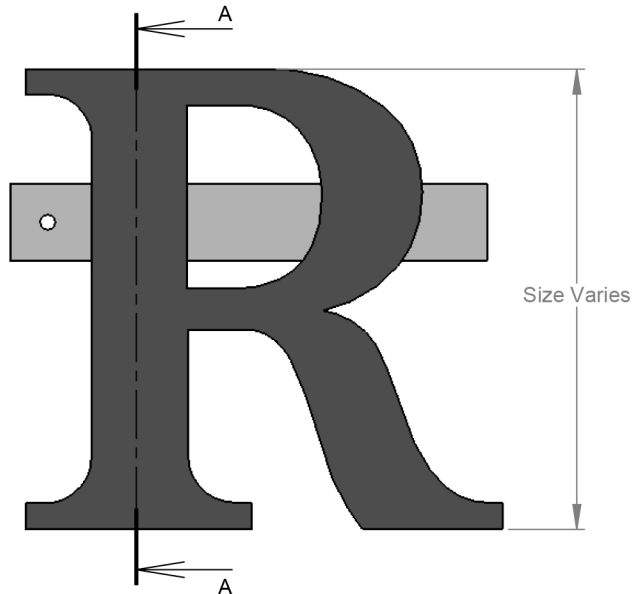
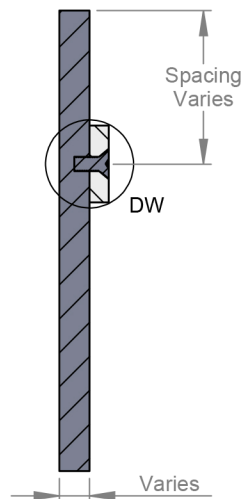


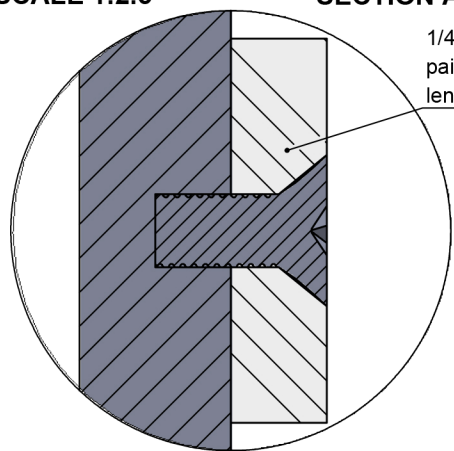
PRODUCT CONSTRUCTION EXAMPLE



FRONT VIEW II SCALE 1:2.5

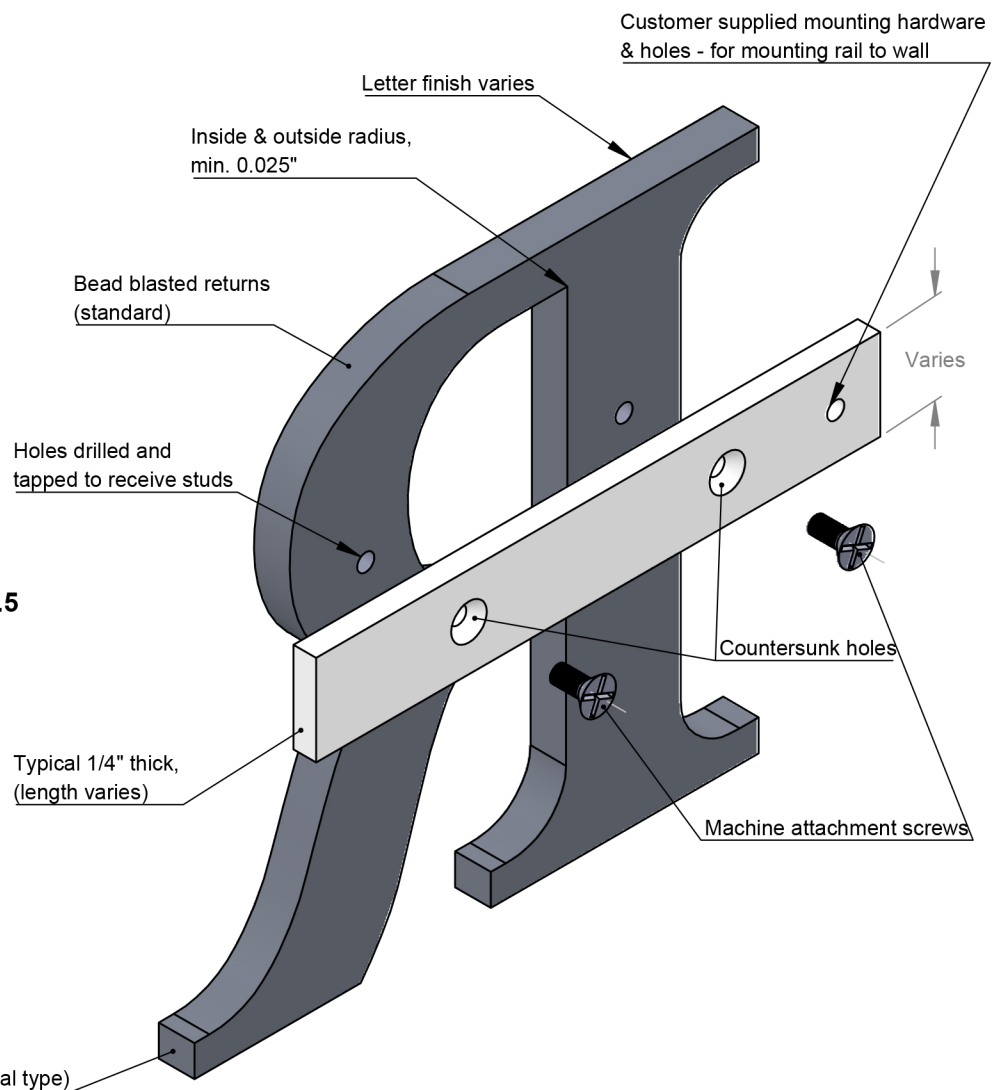


SECTION A-A II SCALE 1 : 2.5



DETAIL DW II SCALE 2 : 1

- NOTES:**
- 4" - 8" high letters, typical
 - Minimum 1/4" thick letters (optional gauge based on metal type)
 - Optional - Letter back finished or unfinished.
 - Letters pre-assembled to rails to ensure fit- larger letters shipped loose
 - Min. 2 screws per letter
 - Flat 1/4" thick aluminum rails - standard, optional c-channel, painted or anodized
 - Max 95" long x 1/4", 1/2", 3/4" or 1" wide
 - 10/24 or 1/4-20 stainless steel attachment screws
 - Metal Rails are designed to be mounted to load bearing structures, holes and location to be determined by installer (rail mounting hardware and holes not included)
 - Letters or logos, standard or custom



ISOMETRIC BACK VIEW II SCALE 1:1.5

TITLE:

FLAT CUT METAL - SINGLE RAIL MOUNT

MATERIAL:

METAL

PRODUCT TYPE:

FLAT CUT METAL